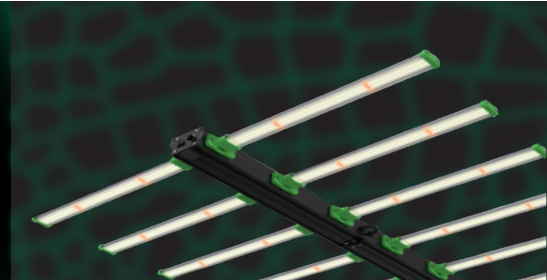


# DRAGONFLY

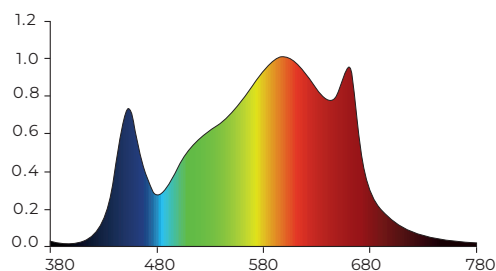


## Dettagli del prodotto

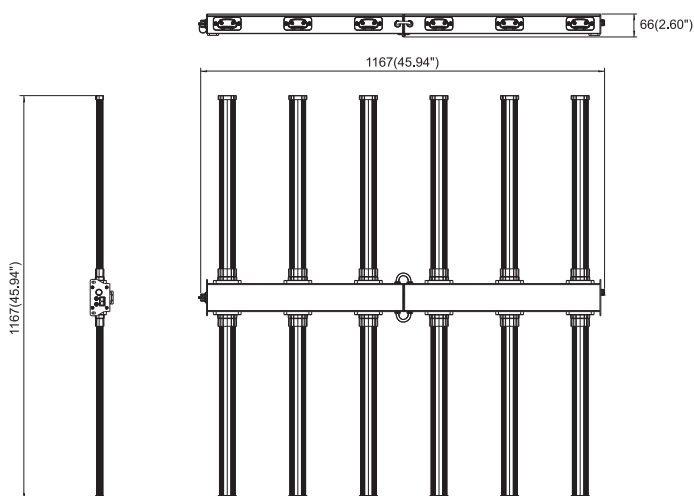
- Driver regolabile integrato
- Raffreddamento passivo, nessuna ventola o parti in movimento
- Actualización del ETL para el cumplimiento de las normas CE, RoHS, EMC y LVD **T**
- Le barre possono essere sostituite con facilità, sono disponibili altre combinazioni di colori
- Soluzione per la coltivazione DIY

## Spettro

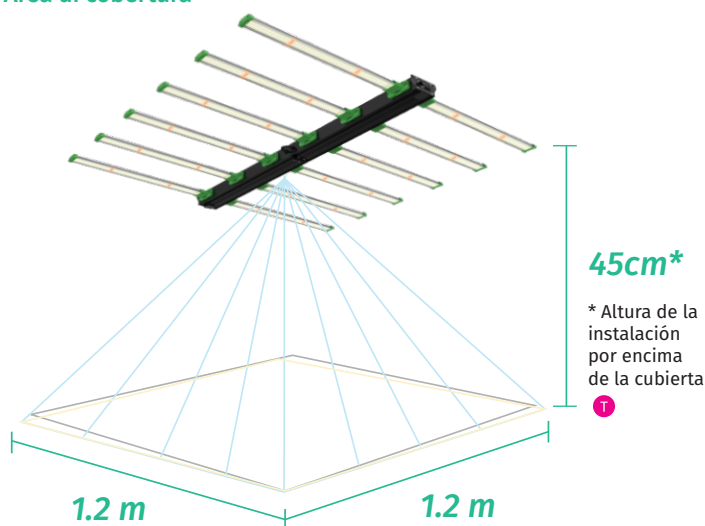
$$1.0 = 1.644e + 003mW / nm$$



\* wavelength (nm) **T**



## Area di copertura



45cm\*

\* Altura de la instalación por encima de la cubierta **T**

Óptimo para 1.2 m<sup>2</sup> **T**

## Dati tecnici

Efficacia	2.7 $\mu\text{mol}/\text{J}$ @230Vac
PPF di uscita*	1708 $\mu\text{mol}/\text{s}$
Voltaje de entrada	100-240V I 100-277V, 50/60Hz
Potenza di ingresso	640W
Intervallo di corrente	6,4 A @100Vca, 2,31A @277Vca
Calore generato in BTU	2182.4 BTU
Classe di isolamento	Class I
Intensità luminosa	0 - 10 V

Condizioni di funzionamento	0 °C to 40 °C (95 % RH)
Condizioni di conservazione	-40 °C to 70 °C (85 % RH)

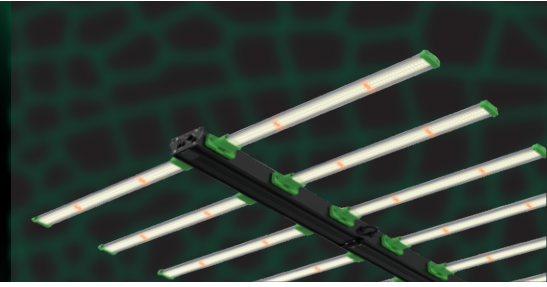
\*flujo fotónico fotosintético **T**

Dimensioni	116.7 x 116.7 x 66 cm
Peso netto	9 kg

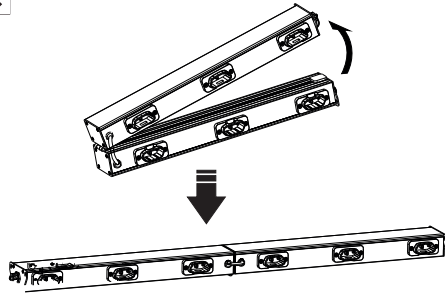
## PPFD 640W

60 cm	
Media	518 $\mu\text{Mol}/\text{m}^2/\text{s}$
Massimo	653 $\mu\text{Mol}/\text{m}^2/\text{s}$
Minimo	377 $\mu\text{Mol}/\text{m}^2/\text{s}$
45 cm	
Media	567 $\mu\text{Mol}/\text{m}^2/\text{s}$
Massimo	717 $\mu\text{Mol}/\text{m}^2/\text{s}$
Minimo	351 $\mu\text{Mol}/\text{m}^2/\text{s}$

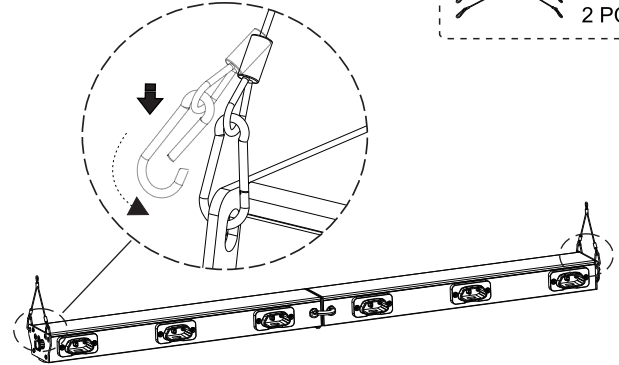
# DRAGONFLY



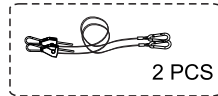
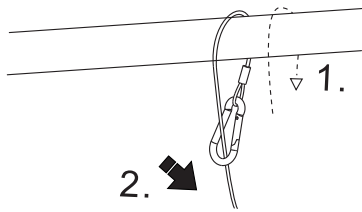
1. ✂



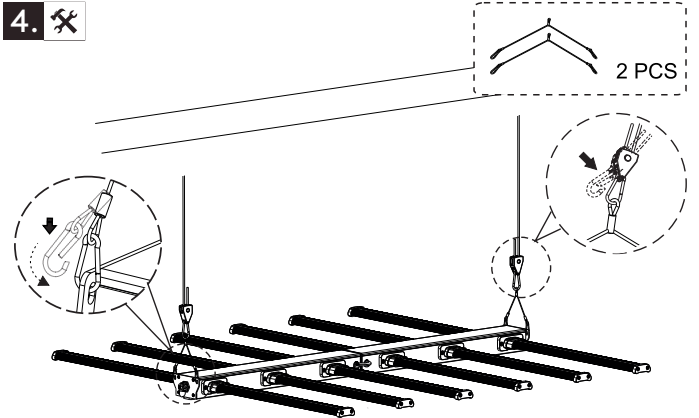
2. ✂



3. ✂



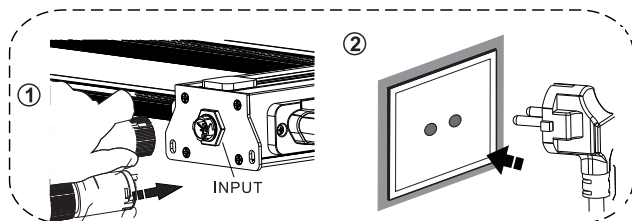
4. ✂



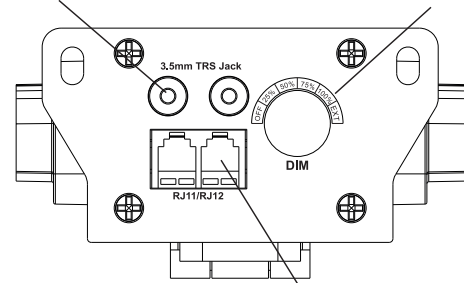
1. When taking, moving and installing the lamp, do not touch or use tools on the luminous surface. Please check the LED chip before use.  
 2. Warning: Please note that the assembly process must ensure the plug-play connector is tightly connected. After the installation is completed, please do a self-check for the confirmation of the connector to prevent poor wire connection and wire burn! **T**

5. ✂

There are 3 dimming modes of the driver, each of them suitable for different applications. **T**



**T** Dimming knob, adjust the light  
**T** 3.5 mm network port can connect external dimming controller.



**T** RJ12 network port can connect to two kinds of dimming controller: 0-10V, PWM.

• The light source contained in this luminaire shall only be replaced by the manufacturer or his service agent or a similar qualified person.  
 • if the external flexible cable or cord of this luminaire is damaged, it shall be exclusively replaced by the manufacturer or his service agent or a similar qualified person in order to avoid a hazard. **T**