

SMALL, POWERFUL & BUDGET FRIENDLY THE NEW XPLORE SERIES 100W / 200W LED



Light Output PPF

530 $\mu\text{mol/s}$

(XPLORE 200W @240V)

System Photon Total

2.73 $\mu\text{mol/J}$

(XPLORE 200W @240V)

Fast & Easy

**PLUG
& PLAY**

via Controller Port

Red & White

**FULL
SPECTRUM**

LED Diodes

QUALITY

Impact resistant

**IP65 WATER
PROOF**

Deep light penetration lens

**UNMATCHED HIGH PERFORMANCE SCORES
ENHANCED FULL SPECTRUM ROBUST & DURABLE
PC LENS GIVING YOU HIGHER YIELD**

DIMLUX

**THE FUTURE OF GROWING
JUST GOT BRIGHTER.**

COMPACT LED WITH FULL DIMLUX POWER

Introducing a cutting-edge quantum board grow light designed for home use, representing the next generation in indoor gardening technology.



ADJUSTABLE DIMLUX POWER!

What sets this product apart is its innovative waterproof technology, a feature that distinguishes it from the numerous LED grow lights available in the market.

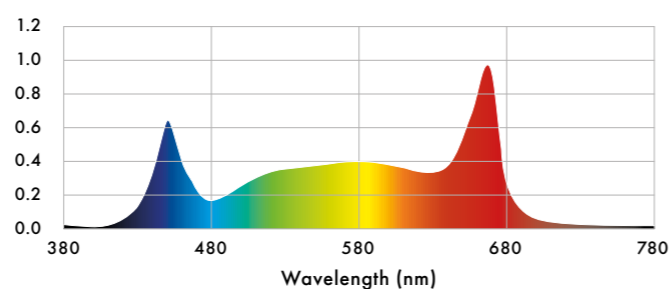
This grow light offers adjustable light intensity through multi-mode dimming, facilitated by an RJ port for external controller. The inclusion of a PC lens ensures higher reliability, as it insulates diodes from water and dust, preventing potential LED damage.

SPECTRUM DISTRIBUTION

Additionally, the enhanced full spectrum emitted by this light promotes rapid flowering in plant species cultivated indoors under artificial lighting.

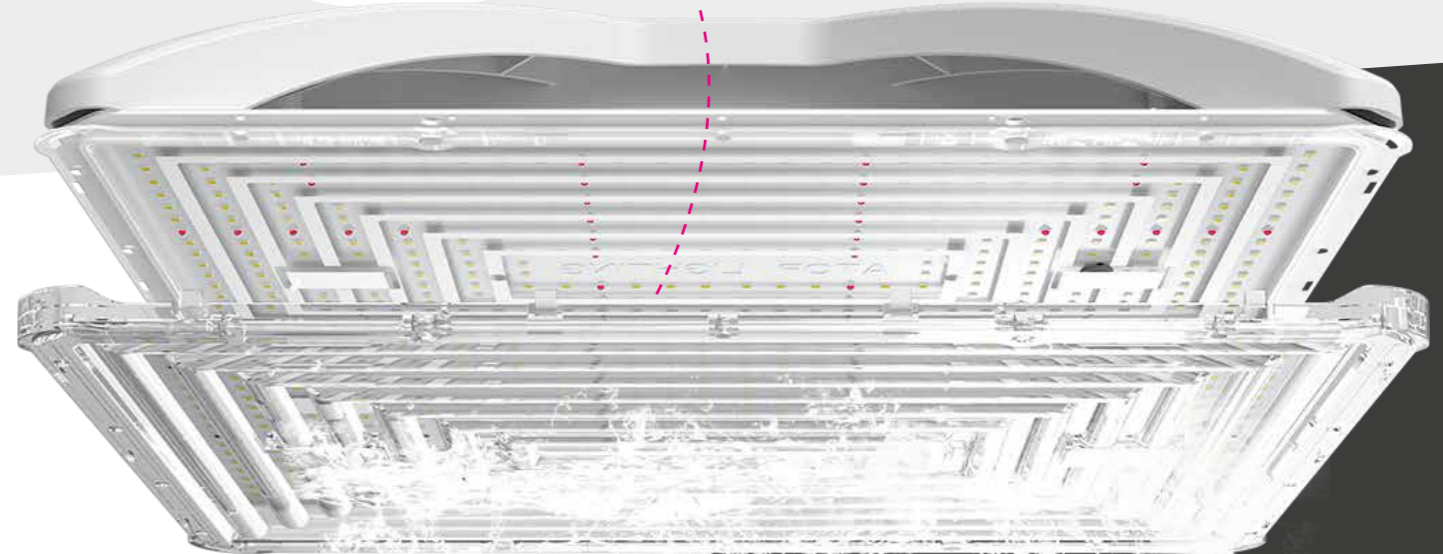
This spectrum closely mimics natural sunlight and caters to the needs of both high and low DLI (Daily Light Integral) crops, making it an ideal choice for all indoor gardening enthusiasts.

The extra blue light makes the fixture ideal for the growing stage (clones and mother plants) and the blooming stage. For clones dimming is required.



**LOOKING TO GET
A HIGHER YIELD?
OUR HIGH QUALITY
LEDs WILL GET YOU
THERE!**

Our ultra-robust PC lens cover gives the compact line a higher reliability by protecting the diode from dust and water avoiding LED Damage and giving you a higher yield!



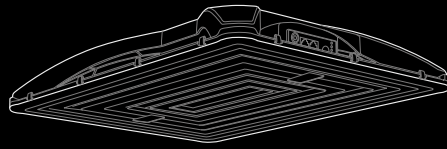
UNMATCHED HIGH PERFORMANCE SCORES

Thanks to completely new improved top-class Dimlux LEDs in combination with our Digital ballast, efficiency is pushed to new heights of up to **2.73 $\mu\text{mol}/\text{J}$** and light output up to **530 $\mu\text{mol}/\text{s}$** . These are very high scores in this quantum board category.

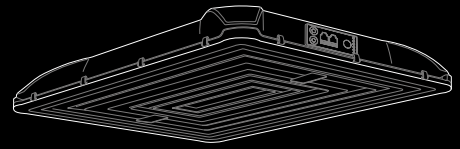
IP65 WATER RESISTANT

Our Xplore Series Compact line fixture can be easily used in a humid environment.





DIMLUX XPLORE SERIES
100W LED COMPACT LINE

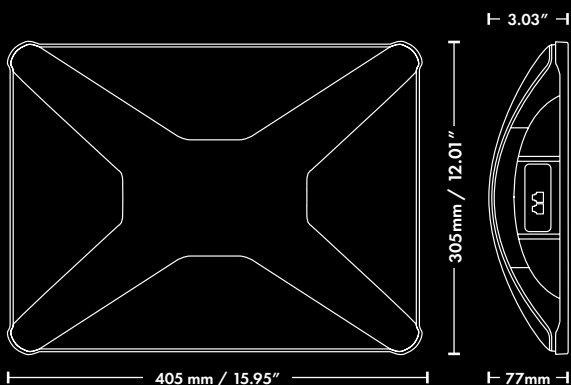


DIMLUX XPLORE SERIES
200W LED COMPACT LINE

SPECIFICATIONS

Light Source	100W LED	200W LED
Light Output (PPF)	269 $\mu\text{mol/s}$	530 $\mu\text{mol/s}$
Light Output Total (PPF 350-800nm)	270 $\mu\text{mol/s}$	542 $\mu\text{mol/s}$
PAR Photon Efficacy (400-700nm)	2.69 $\mu\text{mol/J}$ @ 230V AC	2.71 $\mu\text{mol/J}$ @ 230V AC
Total Photon Efficacy (350-800nm)	2.7 $\mu\text{mol/J}$ @ 230V AC	2.73 $\mu\text{mol/J}$ @ 230V AC
Input Voltage	120-240V AC, 50/60Hz	
Power Factor	> 0.9	
Dimming	0-10V	
Max. Ambient Temperature	0°C to 40°C / 32°F to 104°F (95% RH)	
Controller	Maxi Controller or External Controller	
Mounting Height	$\geq 30\text{cm}$ / 12" Above Canopy	$\geq 45\text{cm}$ / 18" Above Canopy
Rcmd Hanging Height	100x100cm min. 50cm / 40"x40" min. 20"	120x120cm min. 60cm / 4'x4' min. 2'
Rcmd Hanging Height	60x60cm min. 30cm / 24"x24" min. 12"	80x80cm min. 40cm / 32"x32" min. 16"
Lifetime L90	> 50,000hrs	
IP Rating	IP65	
Certifications	CE, ETL, SAA	
Dimensions	405 x 305 x 77mm / 15.95" x 12.01" x 3.03"	
Weight	1.97 Kg / 4.33 lbs	
Warranty	3 Year Standard	

DIMENSIONS



SPECTRUM DISTRIBUTION

